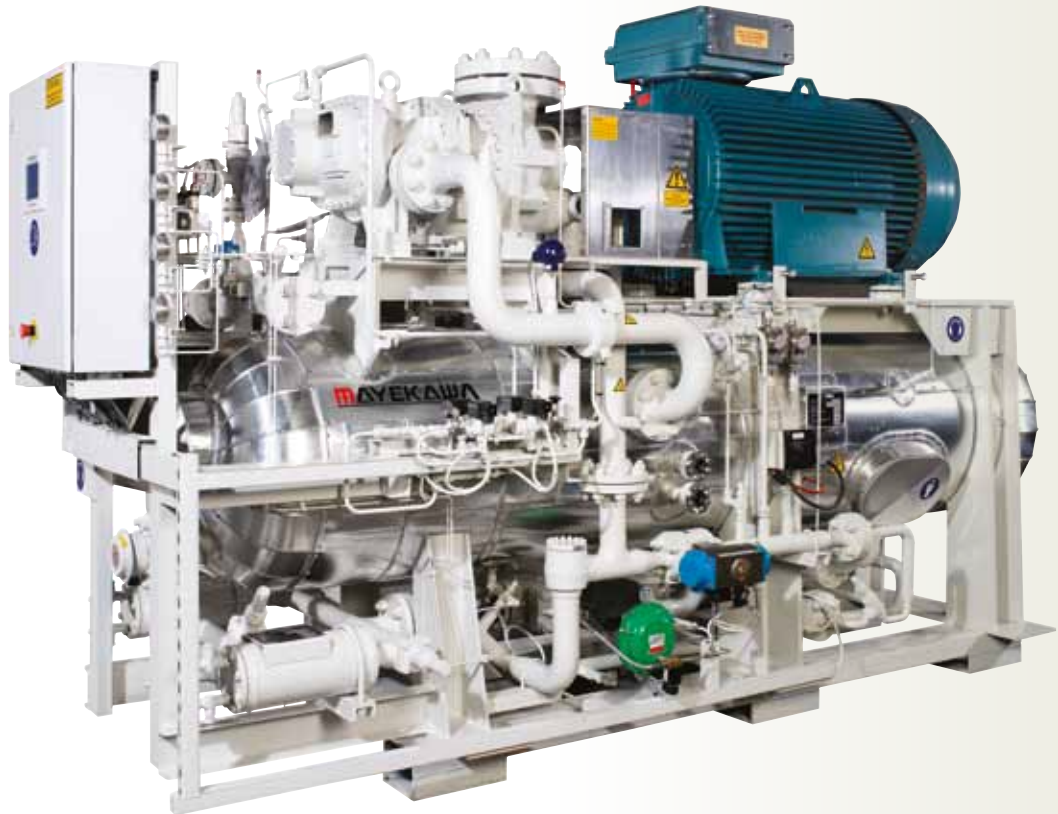




HIGH PRESSURE SCREW COMPRESSOR

GH-Series

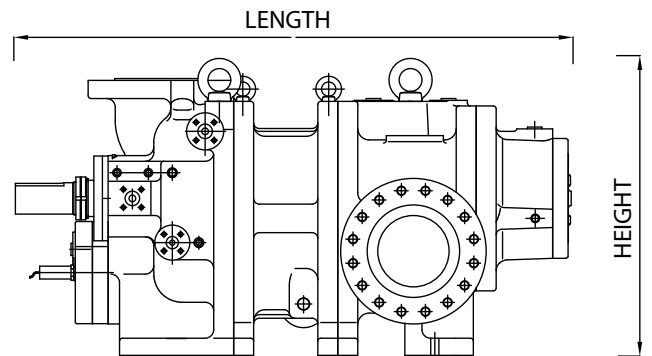
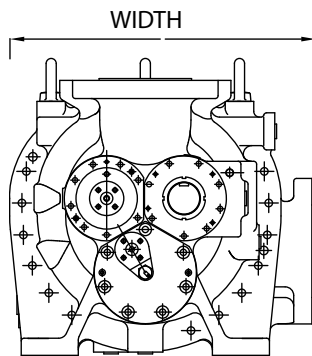


The GH-series

is a series of oil injection type screw compressors capable of running continuously at a discharge pressure of 50 barG. By employing a special rotor profile the GH-series enables a highly efficient operation. The GH-series compressors are designed for various gases: Hydrocarbons, Helium, Hydrogen, CO₂, NH₃ and others. Therefore these compressors are ideal for such applications as high pressure fuel gas supply to gas turbines, low temperature freezing systems on CO₂ with a defrost cycle, ammonia heat pumps, etc.

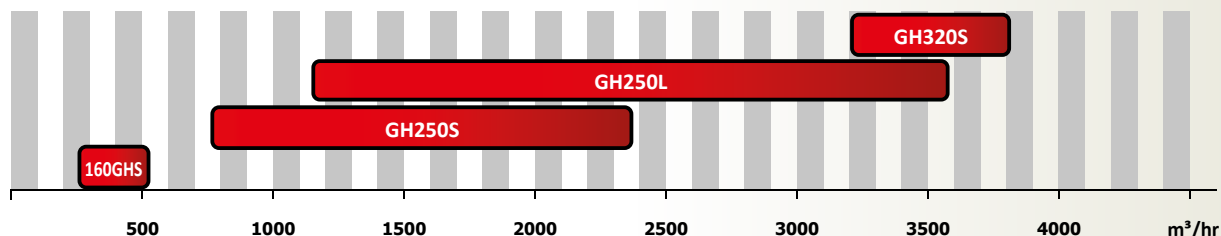
In the GH-series compressors we are using forged steel for the rotors and tilting pads for the thrust bearings¹⁾, which results in longer maintenance intervals and, consequently, lower running costs. The GH-series compressors are compliant with API619, EN-378 ATEX, NACE and other standards and are being successfully applied in a great number of fields.

1) Excluded 160GHS



UNIT TYPE	WEIGHT (kg)	WIDTH (mm)	LENGTH (mm)	HEIGHT (mm)
160GHS	570	510	1021	510
GH250S	2250	785	1568	680
GH250L	2410	785	1711	680
GH320S	5000	1095	1938	970

opt Volume
V_{th}



Item		Unit	Description			
Model			160GHS-V	GH250S	GH250L	GH320S
Handling Gas			CO ₂ , NH ₃	CO ₂ , NH ₃ , Hydrocarbon, Helium, Hydrogen and other gases		
Design Running Condition	Suction Pressure	BarG	5,5	10	30	30
	Discharge Pressure	BarG	45	50	37	50
	Minimum Suction Gas Temperature	°C	-55	30		
	Maximum Discharge Gas Temperature	°C	100°C for setting rotor clearance			
Design Condition	Design Pressure of Casing	BarG	60			
	"Maximum Allowable Working Pressure"	BarG	50 ¹⁾	50		
	"Maximum Allowable Suction Pressure"	BarG	20 (start up: 25)	20	20	30
	Minimum Allowable Suction Pressure	BarG	0,5			
	Minimum Pressure Differential Between Suction and Discharge	BarG	9	12		5
	Maximum Allowable Discharge Temperature	°C	100			
	Maximum Drive Shaft Speed	rpm	3600	4500	4500	3600
	Minimum Drive Shaft Speed	rpm	1800	1450	1450	2950
Compressor Data	Rotor Profile	-	MYCOM Original			
	Numbre of lobes / Male Rotor	-	5			
	Numbre of lobes / Female Rotor	-	7			
	Vi Control Range	-	1.8, 4.6	2.3, 3.3, 4.5	1,3	1.3, 2.3, 3.3, 4.5

1) Le fonctionnement à 50 bar est limité à 20% de la plage d'utilisation total.

• Le tableau ci-dessus est susceptible d'être modifié sans préavis.

WORLDWIDE

- 39 countries / 126 offices
- 8 production plants



Europe Organization

GERMANY

Süd
Untere Bahnhofstrasse 38a
82110 Germering
Tel. +49 89 5527 989 0

Außenstelle Nord
Tel. +49 151 425 290 55

Service-Werkstatt
Zum Buckesch 7a
48336 Sassenberg-Füchtort
Tel. +49 170 2960 409
Fax. +49 89 5527 989 10
<http://www.mayekawa.de>
Email info@mayekawa.de

SWITZERLAND

Rosenbergstrasse 31,
6300 Zug
Tel. +41 41 726 8626
Fax+41 41 726 8620
<http://www.mayekawa.ch>
E-mail info@mayekawa.ch

ITALY

Milan Office
Via Riccardo Lombardi 19/12
20153 Milano
Tel. +39 2 48929218
Fax +39 2 4531728

Bologna Office
Via Pradazzo 7
40012 Calerara di reno
Tel. +39 51 726364
Fax. +39 51 726804

UNITED KINGDOM

16 Oakhurst Gardens
DA7 5JP Bexleyheath, Kent
Tel. +44 1322 433558
Fax+44 1322 433164

FRANCE

East Branch Office
9, Rue Michael Faraday
78180 Montigny-Le-Bretonneux
Tel. +33 1 30 58 26 00
Fax+33 1 30 58 19 37

West Branch Office
8, Square des Pruniers
22400 Lamballe
Tel. +33 2 96 76 59 13
Fax+33 1 30 58 19 37
E-mail mayekawa.france@mayekawa.eu

SPAIN

Calle Montevideo 5, Nave 13
Pol. Industrial Camporoso
28806 Alcalá de Henares, Madrid
Tel. +34 91 830 0392
Fax+34 91 830 0397
<http://www.mayekawa.es>
E-mail mayekawa@mayekawa.es

BULGARIA

Kamen Andreev Str. 24,
1303 Sofia
Tel. +359 2 8910130
Fax+359 2 8910131

EGYPT

New Cairo
5th Settlement
North 90th St.
The 47th Building
Tel. +20 22 5062925
Fax. +20 22 5032901

POLAND

ul. Druskiennicka 8/10
60-476 Poznan
Tel. +48 61 8420738
Fax. +48 61 8485837

MOROCCO

6, Allée des Cyprès
20250 Casablanca
Tel. +212 600 041241

RUSSIA

Office 228, Korovy Val St. 7
119049 Moscow
Tel. +7 499 230 01 76
Fax+7 499 230 21 12
<http://www.mayekawa.ru>
E-mail info@mayekawa.ru

DUBAI

P.O.Box 61349, W-HOUSE
No.RA-08-UC05
Jebel Ali Free Zone Dubai, UAE
Tel. +971-4-888-6363
Fax +971-4-888-6373

REPUBLIC OF SOUTH AFRICA

West End
Unit 3 Prime Park
Printers Way
Montague Gardens 7441
Tel. +27 21 551 1434
Fax. +27 86 5463618

TURKEY

Dunya Ticaret Merkezi
A/2 Blok Kat:10 No:325 Yesilkoy, Istanbul
Tel. +90 212 465 36 31 34
Fax +90 212 465 36 35

ABU DHABI

All & Sons Business Center Office no.201
All Khalfan rached Al Mulawa Al Dhahin Bldg
Plot no 29, Al Ain Road, Umm Al nar
Tel. +971 2 5102151
Fax. +971 2 5102571

JAPAN HEAD OFFICE

3-14-15 Botan Koto-ku
Tokyo 135 8482, JAPAN
Tel. 81 3 3642 8181
Fax 81 3 3643 7094
E-mail e-public@mayekawa.co.jp

MAYEKAWA Europe nv/sa

Leuvensesteenweg 605
1930 Zaventem - Belgium
Tel.+32 2 757 90 75
Fax +32 2 757 90 23
<http://www.mayekawa.eu>
E-mail info@mayekawa.eu