

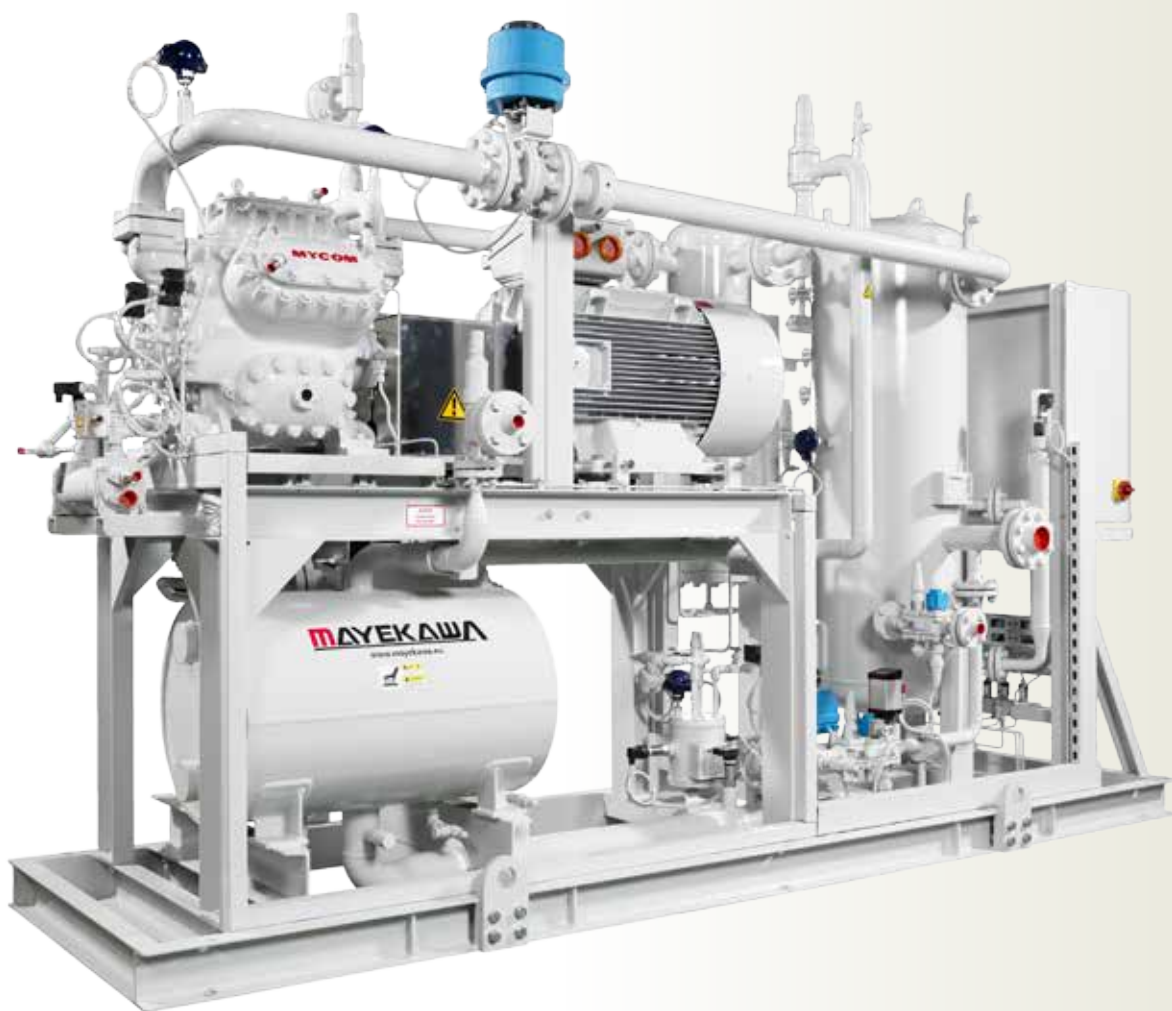
MAYEKAWA

MYCOM



MAYEKAWA NOWY STANDARD WYSOKOCIŚNIENIOWYCH POMP CIEPŁA

PLUS **HEAT** 改X



MAYEKAWA
MAYEKAWA Europe nv/sa

The MAYEKAWA **PLUS+HEAT_χ** (KAI)

products belongs to the MAYEKAWA 'NATURAL 5' program, and introduces herewith a new generation of energy saving equipment, using the MAYEKAWA N6HK high pressure compressor (50 bar) with natural refrigerant NH₃ (GWP=0).

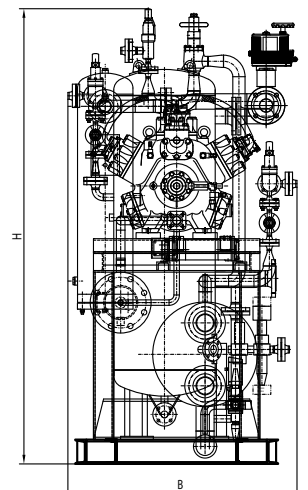
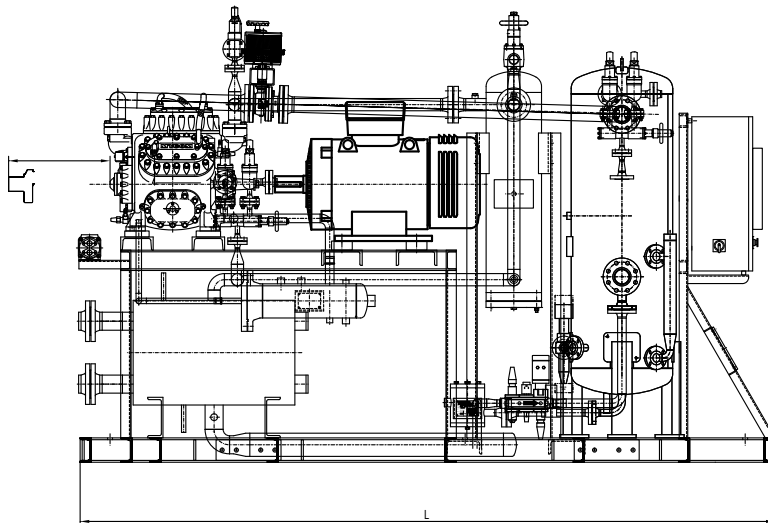
MAYEKAWA Plus+HEAT_χ is using condenser heat from the refrigeration plant.

MAYEKAWA Plus+HEAT_χ takes the gas from the high pressure side of the refrigeration plant at the refrigeration compressor outlet to the low pressure side of the heat pump compressor via mounting open flash tank.

It is clear that this application leads to a very important reduction on use of fossil energy: **MAYEKAWA Plus+HEAT_χ** consumes much less then when using a steam boiler, resulting in energy cost reduction, which also applies on the reduction of direct CO₂ emissions. The system has also the additional benefit of a shorter installation time as the packaged unit can easily be connected to the existing system.

Also you can select sensible heat recovery heat exchanger and/or liquid heat recovery heat exchanger as options. We can provide higher C.O.P system if you will select options.

Dimension of **PLUS+HEAT_χ**

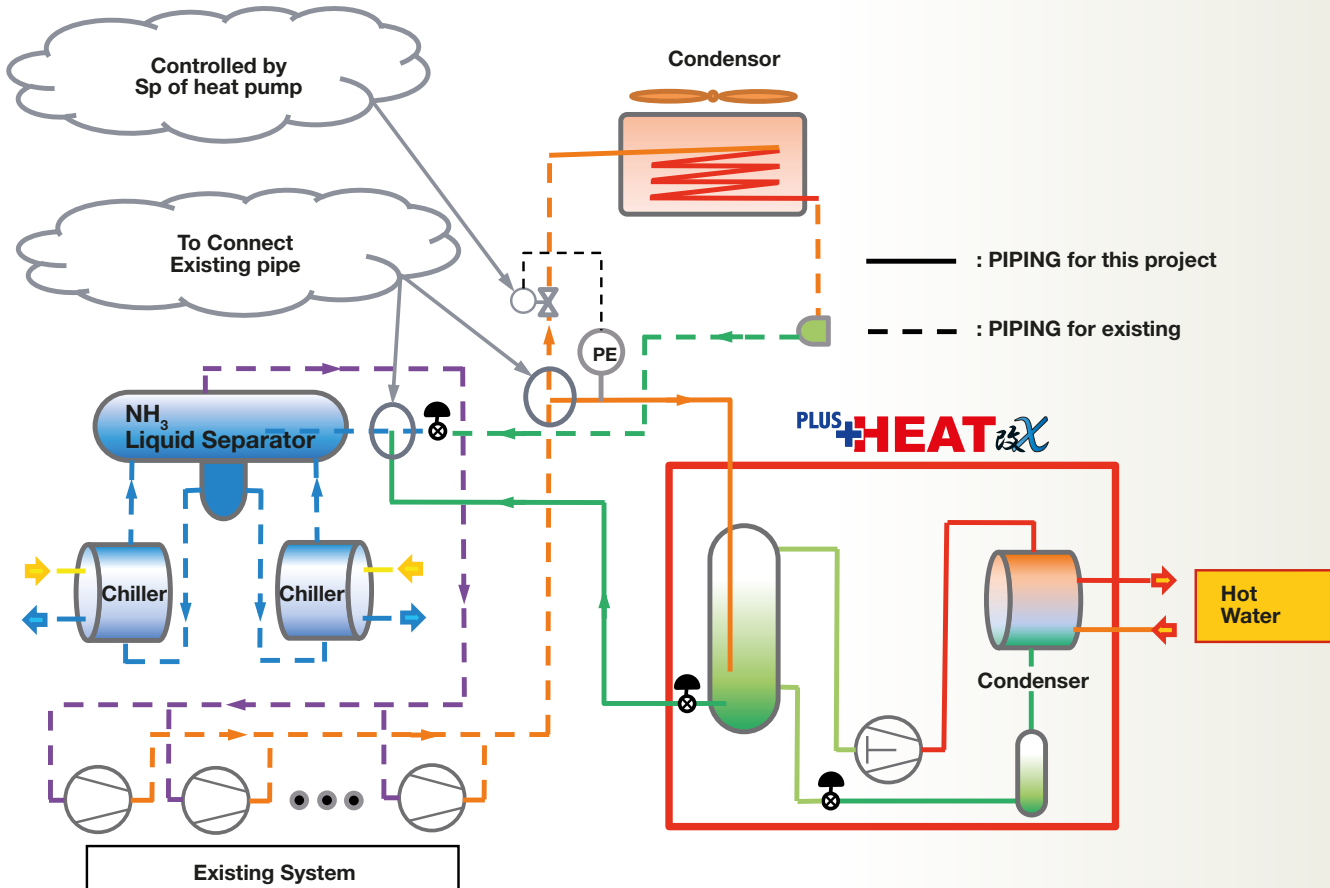


*Above drawing is subject to change without notice

Specification

Refrigerant			Ammonia (R717)					
Type			PHX-R90		PHX-R110		PHX-R132	PHX-R132H
Outlet Hot Water Temperature		°C	60	65	70	75	80	85
Condensing temperature of low stage		°C	35					40
Capacity	Heating Capacity	kW	523	510	496	480	465	523
	Absorbed Power	kW	64,1	74	83	89	99	110
	C.O.P heating	-	8,2	6,9	6,0	5,4	4,7	4,8
Design pressure (SP/DP)		barG	20/50					20/55
Power Supply			400V 3φ 50Hz / 230V 1φ 50Hz					
Type of Compressor			N6HK (Receiprocating Compressor)					
Motor size (4P IP55 IE2)		kW	90		110		132	
Starter		-	your selection					
recommendable oil		-	depending on oil of existing system - please contact us					
Condenser	Type	-	Shell & Plate type heat exchanger					
	Temperature of Hot water	°C	55/60	60/65	65/70	70/75	75/80	80/85
	Flow rate of hot water	m³/h	90,0	87,7	85,2	82,6	79,9	90,0
Dimension	Wide (B)	mm	1050					-
	Length (L)	mm	3500					-
	Height (H)	mm	2250					-
	Weight	kg	3000		3200		3300	

System reference of PLUS+HEAT_{EX}



WORLDWIDE

- 39 countries / 126 offices
- 8 production plants



Europe Organization

GERMANY

Süd
Untere Bahnhofstrasse 38a
82110 Germering
Tel. +49 89 5527 989 0

Außenstelle Nord

Tel. +49 151 425 290 55

Service-Werkstatt

Zum Buckesch 7a
48336 Sassenberg-Füchtort
Tel. +49 170 2960 409
Fax. +49 89 5527 989 10
<http://www.mayekawa.de>
Email info@mayekawa.de

SWITZERLAND

Rosenbergstrasse 31,
6300 Zug
Tel. +41 41 726 8626
Fax+41 41 726 8620
<http://www.mayekawa.ch>
E-mail info@mayekawa.ch

ITALY

Milan Office
Via Riccardo Lombardi 19/12
20153 Milano
Tel. +39 2 48929218
Fax +39 2 4531728

Bologna Office

Via Pradazzo 7
40012 Calerara di Reno
Tel. +39 51 726364
Fax. +39 51 726804

UNITED KINGDOM

16 Oakhurst Gardens
DA7 5JP Bexleyheath, Kent
Tel. +44 1322 433558
Fax+44 1322 433164

FRANCE

East Branch Office
9, Rue Michael Faraday
78180 Montigny-Le-Bretonneux
Tel. +33 1 30 58 26 00
Fax+33 1 30 58 19 37

West Branch Office

6, Square des Pruniers
22400 Lamballe
Tel. +33 2 96 76 59 13
Fax+33 1 30 58 19 37
E-mail mayekawa.france@mayekawa.eu

SPAIN

Calle Montevideo 5, Nave 13
Pol. Industrial Camporoso
28806 Alcala de Henares, Madrid
Tel. +34 91 830 0392
Fax+34 91 830 0397
<http://www.mayekawa.es>
E-mail mayekawa@mayekawa.es

BULGARIA

Kamen Andreev Str. 24,
1303 Sofia
Tel. +359 2 8910130
Fax+359 2 8910131

EGYPT

New Cairo
5th Settlement
North 90th St.
The 47th Building
Tel. +20 22 5062925
Fax. +20 22 5032901

POLAND

ul. Druskiennicka 8/10
60-476 Poznan
Tel. +48 61 8420738
Fax. +48 61 8485837

MOROCCO

6, Allée des Cyprès
20250 Casablanca
Tel. +212 600 041241

RUSSIA

Office 228, Korovy Val St. 7
119049 Moscow
Tel. +7 499 230 01 76
Fax+7 499 230 21 12
<http://www.mayekawa.ru>
E-mail info@mayekawa.ru

DUBAI

P.O.Box 61349, W-HOUSE
No.RA-08-UC05
Jebel Ali Free Zone Dubai, UAE
Tel. +971-4-888-6363
Fax +971-4-888-6373

REPUBLIC OF SOUTH AFRICA

West End
Unit 3 Prime Park
Printers Way
Montague Gardens 7441
Tel. +27 21 551 1434
Fax. +27 86 5463618

TURKEY

Dunya Ticaret Merkezi
A/2 Blok Kat:10 No:325 Yesilkoy, Istanbul
Tel. +90 212 465 36 31 34
Fax +90 212 465 36 35

ABU DHABI

All & Sons Business Center Office no.201
All Khalfan rached Al Mulawa Al Dhahin Bldg
Plot no 29, Al Ain Road, Umm Al nar
Tel. +971 2 5102151
Fax. +971 2 5102571

JAPAN HEAD OFFICE

3-14-15 Botan Koto-ku
Tokyo 135 8482, JAPAN
Tel. 81 3 3642 8181
Fax 81 3 3643 7094
E-mail e-public@mayekawa.co.jp

MAYEKAWA Europe nv/sa

Leuvensesteenweg 605
1930 Zaventem - Belgium
Tel.+32 2 757 90 75
Fax +32 2 757 90 23
<http://www.mayekawa.eu>
E-mail info@mayekawa.eu